



Fulbrook Lane, Sherbourne,
Warwick, CV35 8AR, ENGLAND

Tel: 01926 624800
Fax: 01926 624900

LYNX MICRO SYSTEM

HEADSET PANEL EXTENSION LEAD

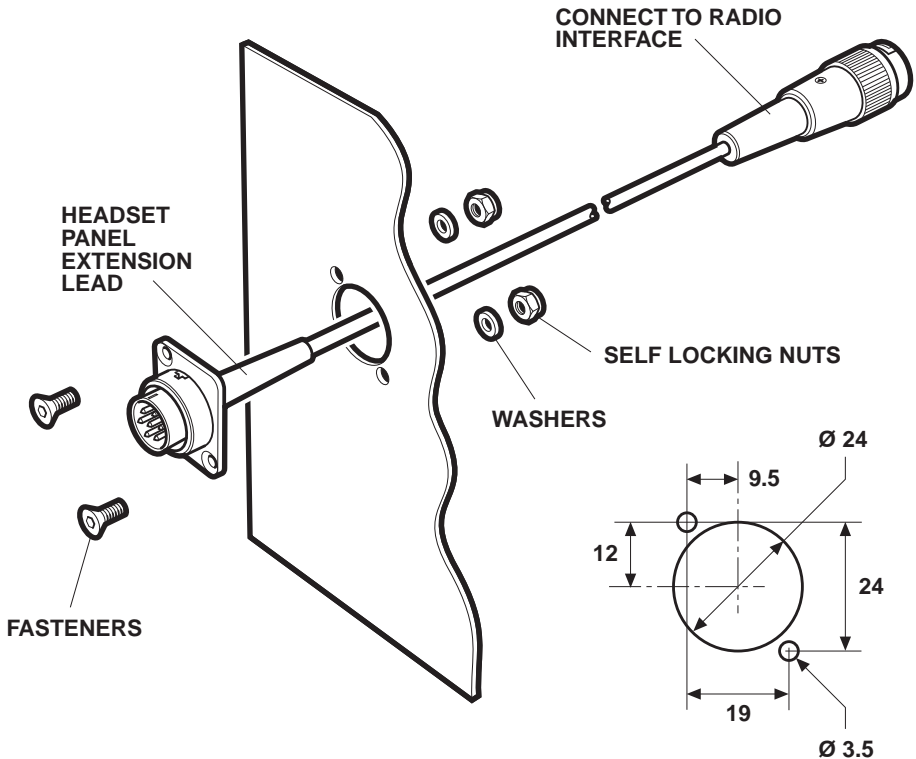
REF: E019-0 13-01-01

INSTALLATION INSTRUCTIONS

The Headset Panel Extension Lead provides a panel socket for Micro System headsets without the need to terminate plugs and cables.

NOTE:

Headset Panel Extension Leads are normally one metre long but can be supplied in any length to order.



IMPORTANT

READ THIS INFORMATION CAREFULLY BEFORE
ATTEMPTING TO USE THIS ITEM OF EQUIPMENT