



# VELCRO MOUNT P.T.T. SWITCH

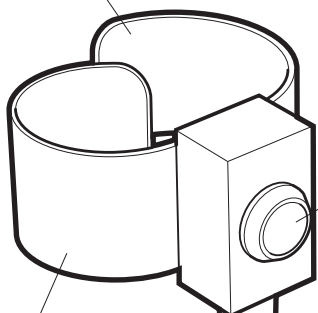
Fulbrook Lane, Sherbourne,  
Warwick, CV35 8AR, ENGLAND

Tel: 01926 624800  
Fax: 01926 624900

REF: E022-1 21-10-02

## INSTALLATION INSTRUCTIONS

LOOP VELCRO

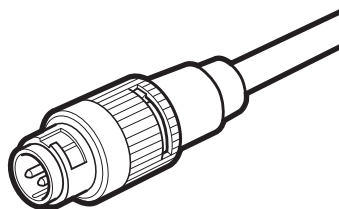


HOOK VELCRO

SWITCH

### WARNING:

By exerting excessive force it is possible to insert the P.T.T. connector incorrectly resulting in damage to the connector pins.



ROTATE THE OUTER LOCKING RING TO ALIGN THE KEY WAYS BEFORE INSERTING THE PLUG.

DO NOT FORCE THE CONNECTION.

When correctly aligned minimal force is required to make the connection.

The connector may be bayonet locked after insertion by rotating the outer locking ring clockwise.

**IMPORTANT**

READ THIS INFORMATION CAREFULLY BEFORE ATTEMPTING TO USE THIS ITEM OF EQUIPMENT