



Fulbrook Lane, Sherbourne,
Warwick, CV35 8AR, ENGLAND

Tel: 01926 624800
Fax: 01926 624900

LYNX MICRO SYSTEM

AUDIO INPUT/ OUTPUT LEAD

REF: E024-3 17-05-08

INSTALLATION INSTRUCTIONS

The Audio Input/Output Lead allows either audio players or audio recorders to be connected to Lynx equipment. When used for recording, this lead provides output at Microphone Level.

WARNING:

By exerting excessive force it is possible to insert the audio connector incorrectly resulting in damage to the connector pins.

When correctly aligned minimal force is required to make the connection.

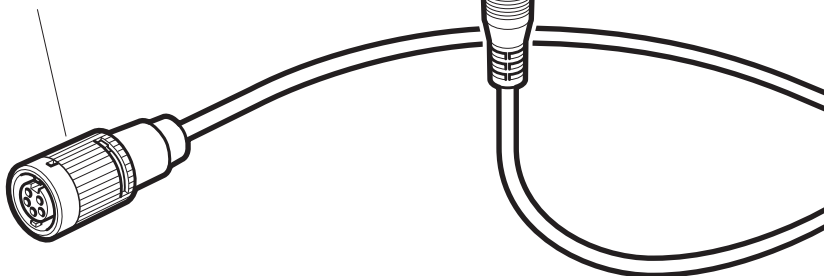
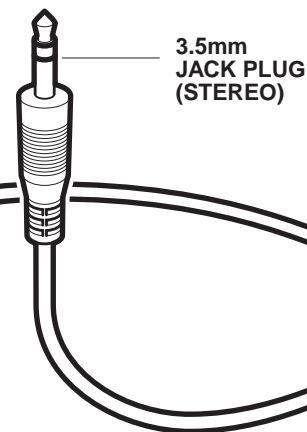
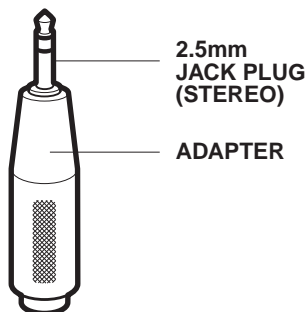
The connector may be bayonet locked after insertion by rotating the outer locking ring clockwise.

ROTATE THE OUTER LOCKING RING TO ALIGN THE INTERNAL KEYS WITH THE CENTRAL KEY WAY BEFORE INSERTING THE PLUG.

DO NOT FORCE THE CONNECTION.

NOTE:

An adapter is provided which converts the standard 3.5mm jack plug into a 2.5mm jack plug.



IMPORTANT

READ THIS INFORMATION CAREFULLY BEFORE
ATTEMPTING TO USE THIS ITEM OF EQUIPMENT