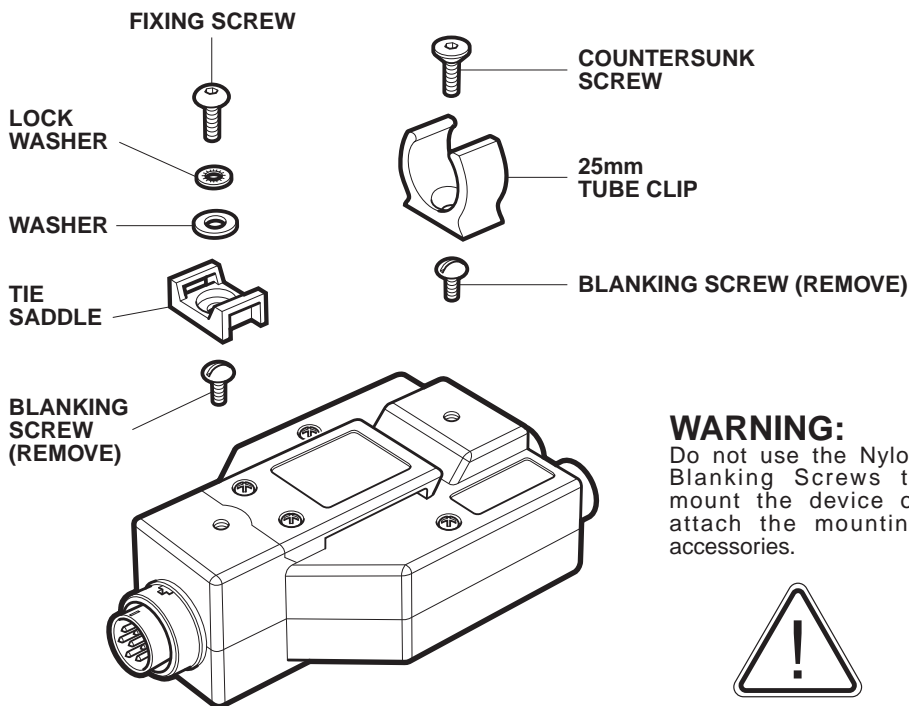


# FIXING KIT (SMALL DEVICE)

REF: E072-0 17-05-08

## INSTALLATION INSTRUCTIONS



### WARNING:

Do not use the Nylon Blanking Screws to mount the device or attach the mounting accessories.

Depending on the application, small devices may be mounted permanently using Velcro, Screws, Tube Clips, or Cable Tie Saddles.

To install using Velcro, simply apply one half of the self-adhesive Velcro to the back of the enclosure.

To install using M4 Screws, remove the two Blanking Screws and fix the enclosure in position through two  $\varnothing$  5mm holes located at 74mm between centres.

To install using Tube Clips or Cable Tie Saddles, remove the two Blanking Screws and attach the clips or saddles as illustrated.

## IMPORTANT

READ THIS INFORMATION CAREFULLY BEFORE ATTEMPTING TO USE THIS ITEM OF EQUIPMENT