

HEADSET CONVERTER CONFIGURATION

REF: E077-0 07-06-08

CONFIGURATION INSTRUCTIONS

Headset Converters can be configured to work with the following types of headset microphone:

1: Amplified Microphones.

Most modern headsets and helmets use amplified microphones. This type of equipment may be fitted with twin jack plugs or a single US NATO helicopter jack plug.

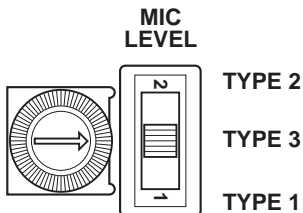
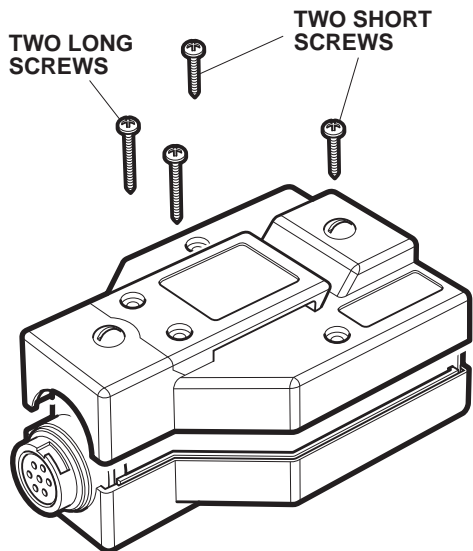
2: Non amplified Electret microphones.

Non amplified Electret microphones are used in equipment manufactured specifically for use in Ultralight aircraft. This equipment is usually fitted with a single stereo jack plug (Ø 6.35mm/0.25").

3: Non amplified Dynamic microphones.

Most military helmets, many older headsets and some modern helicopter headsets use non amplified Dynamic microphones. This equipment may be fitted with twin jack plugs, a single stereo jack plug, a US NATO jack plug or a UK NATO jack plug.

To change the microphone input level, simply remove the back from the converter and move the selector switch to the appropriate setting.



WARNING:

The converter is equipped with a small potentiometer next to the selector switch which allows the microphone gain to be set during manufacture.

It should not be necessary to alter this setting and any adjustment will affect the microphone level output to a radio.

IMPORTANT

READ THIS INFORMATION CAREFULLY BEFORE
ATTEMPTING TO USE THIS ITEM OF EQUIPMENT